

Worldwide Distributors

Baltic, Nordic

Von Gegerfelt Photonics
Tel.: +49-6251 856 79 84
Fax: +49-6251 856 79 85
info@vgphotonics.eu
www.vgphotonics.eu

China

Pinnacle Scientific Corporation
Tel.: +86-571 88 22 51 51
Fax: +86-571 88 22 52 52
sales@psci.cn
www.psci.cn

France

Photon Lines
Tel.: +33-130 08 99 00
Fax: +33-130 08 99 09
infos@photonlines.com
www.photonlines.fr

Israel

Militram
Tel.: +97-299 58 18 60
Fax: +97-299 57 43 83
militram@militram.com
www.militram.com

Italy

LOT-Oriel Italia
Tel.: +39-226 82 21 04
Fax: +39-226 82 50 07
info@lot-oriel.it
www.lot-oriel.it

Japan

Japan Laser Corp.
Tel.: +81-352 85 08 61
Fax: +81-352 85 08 60
lase@japanlaser.jp
www.japanlaser.jp

Korea

DongWoo Optron Co., Ltd.
Tel.: +82-317 65 03 00
Fax: +82-317 65 02 22
optron@optron.co.kr
www.optron.co.kr

Spain

LASER Technology S.L.
Tel.: +34-937 50 01 21
Fax: +34-937 50 03 23
josecochon@laser-technology.com
www.laser-technology.com

Singapore/Malaysia

PhotonTech Pte Ltd
Tel.: +65-67 49 90 31
Fax: +65-62 33 91 71
csales@photonitech.com
www.photonitech.com

Taiwan

Tayhwa Technology Co. Ltd.
Tel.: +88-62 23 56 97 37
Fax: +88-62 23 56 96 59
tayhwa@tayhwa.com.tw
www.tayhwa.com.tw

Turkey

Mitra Anonim Sirketi
Tel.: +90-212 347 47 40
Fax: +90-212 347 47 45
omerbogzoglu@mitra.com.tr
teknofil@mitra.com.tr
www.mitra.com.tr

UK

Photon Lines Ltd
Tel.: +44-12 95 72 42 25
Fax: +44-12 95 72 42 26
info-uk@photonlines.com
www.photonlines.com

USA

Market Tech, Inc.
Tel.: +1-80 03 26 57 14
Fax: +1-83 14 61 11 36
info@markettechinc.net
www.markettechinc.net

For Life Science Applications

Germany, Austria, Switzerland, Scandinavia

Von Gegerfelt Photonics

Nibelungenstrasse 22
DE-64625 Bensheim, Germany
info@vgphotonics.eu
www.vgphotonics.eu



High-Performance diode lasers

PhoXX[®]

Small and compact design

14 different wavelengths
between 375nm and 830nm

Single-Mode optical output
power up to 140mW

TEC temperature-stabilized
and conductively cooled
through baseplate

High-Stability CW operation
and high-speed digital and
analogue modulation



Omicron-Laserage Laserprodukte GmbH
Raiffeisenstrasse 5e
63110 Rodgau, Germany
Tel: +49-61 06-82 24-0
Fax: +49-61 06-82 24-10
www.omicron-laser.de
mail@omicron-laser.de

The Omicron P h o x X[®] Laser Series

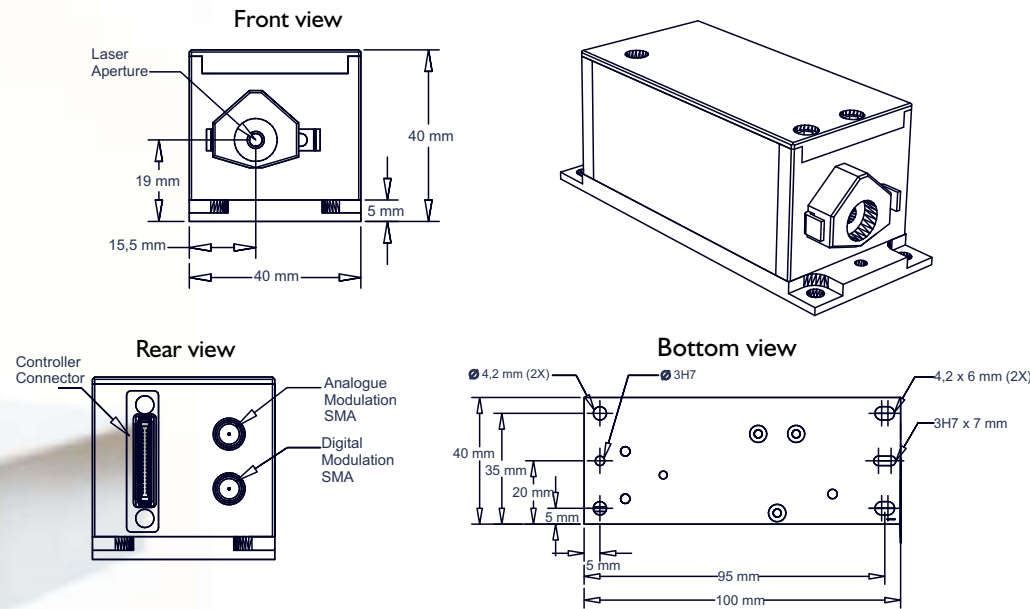
Smaller than you are used to
Stronger than expected !

The Omicron P h o x X[®] Laser Series offers high-performance at a compact design. A broad variety of wavelengths and single-mode emission up to 140mW cover a wide range of applications. Easy integration into existing or future designs is assured by versatile input signal types. The USB2.0 and the RS-232 interface allow deep integration of the lasers into the applications process.

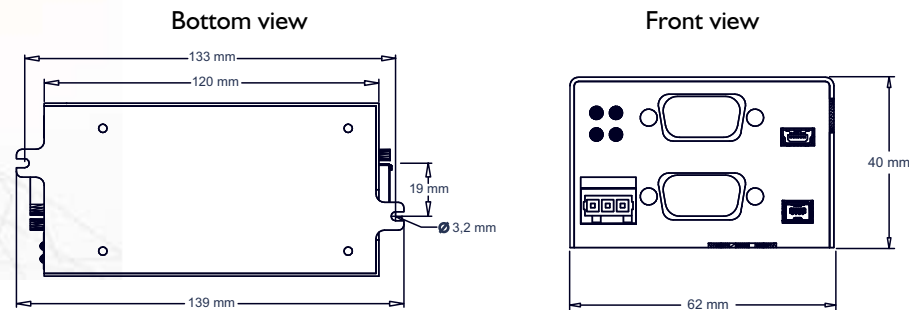
Applications:

Flow Cytometry
Confocal Microscopy
Printing / CtP
Microlithography
Reprographics
Test and Measurement
Machine Vision
....

P h o x X[®] Laser head



P h o x X[®] Controller



P h o x X[®] Laser Series Specification Table

| Model | Phoxx [®] 375 | Phoxx [®] 405-60 | Phoxx [®] 405-120 | Phoxx [®] 445 | Phoxx [®] 473 | Phoxx [®] 488-20 | Phoxx [®] 488-60 | Phoxx [®] 638-40 | Phoxx [®] 638-100 | Phoxx [®] 642 | Phoxx [®] 660 | Phoxx [®] 685 | Phoxx [®] 705 | Phoxx [®] 730 | Phoxx [®] 785 | Phoxx [®] 808 | Phoxx [®] 830 |
|---|---|---------------------------|----------------------------|------------------------|------------------------|---------------------------|---------------------------|---------------------------|----------------------------|------------------------|------------------------|------------------------|------------------------|------------------------|------------------------|------------------------|------------------------|
| Wavelength (+/- 5nm) | 375nm | 405nm | 405nm | 445nm | 473nm | 488nm | 488nm | 638nm | 638nm | 642nm | 660nm | 685nm | 705nm | 730nm | 785nm | 808nm | 830nm |
| Optical output power | 20mW | 60mW | 120mW | 50mW | 20mW | 20mW | 60mW | 40mW | 100mW | 140mW | 130mW | 50mW | 40mW | 40mW | 120mW | 140mW | 140mW |
| Typical beam diameter (1/e ²) | 1.0 ... 1.5mm (depends on wavelength) - 0.7mm with PHOXX.DSO option | | | | | | | | | | | | | | | | |
| Beam quality M ² | <1.2 | | | | | | | | | | | | | | | | |
| Beam ellipticity | <1.2:1 | | | | | | | | | | | | | | | | |
| Beam pointing stability (µrad/°C) | <5 | | | | | | | | | | | | | | | | |
| Polarisation ratio | >100:1 vertical | | | | | | | | | | | | | | | | |
| Warm up time | <3 minutes | | | | | | | | | | | | | | | | |
| Operation modes | | | | | | | | | | | | | | | | | |
| Mode 1 | CW Operation | | | | | | | | | | | | | | | | |
| Mode 2 | Analogue Modulation | | | | | | | | | | | | | | | | |
| Mode 3 | Digital Modulation | | | | | | | | | | | | | | | | |
| Mode 4 | Mixed Analogue & Digital Modulation | | | | | | | | | | | | | | | | |
| Digital modulation | | | | | | | | | | | | | | | | | |
| Modulation bandwidth | >180MHz | | | | | | | | | | | | | | | | |
| Signal type | TTL (200 Ohm) / 0...1V (50 Ohm) / LV-PECL / PECL / LVDS (user-configurable) | | | | | | | | | | | | | | | | |
| Analogue modulation | | | | | | | | | | | | | | | | | |
| Modulation bandwidth | >3MHz | | | | | | | | | | | | | | | | |
| Signal type | 0...1V (50 Ohm) / 0...5V (1.2kOhm) (user-configurable) | | | | | | | | | | | | | | | | |
| Laser enable input | | | | | | | | | | | | | | | | | |
| Modulation bandwidth | >250kHz (complete ON/OFF) | | | | | | | | | | | | | | | | |
| Signal type | TTL (2 kOhm) | | | | | | | | | | | | | | | | |
| RMS noise characteristics | | | | | | | | | | | | | | | | | |
| 20Hz ... 10MHz | < 0,2% | | | | | | | | | | | | | | | | |
| 10MHz ... 500MHz | < 0,2% | | | | | | | | | | | | | | | | |
| Long-term power stability (8h) | < 2% | | | | | | | | | | | | | | | | |
| Electrical properties | | | | | | | | | | | | | | | | | |
| Laser operating voltage | 5.00 VDC +/- 0.50V | | | | | | | | | | | | | | | | |
| Computer interface | | | | | | | | | | | | | | | | | |
| Type | RS-232 and USB2.0 | | | | | | | | | | | | | | | | |
| Mechanical properties | | | | | | | | | | | | | | | | | |
| Dimensions laser head | 100 x 40 x 40mm (l x w x h) | | | | | | | | | | | | | | | | |
| Dimensions laser controller | 120 x 62 x 40mm (l x w x h) | | | | | | | | | | | | | | | | |

more information: www.omicron-laser.de